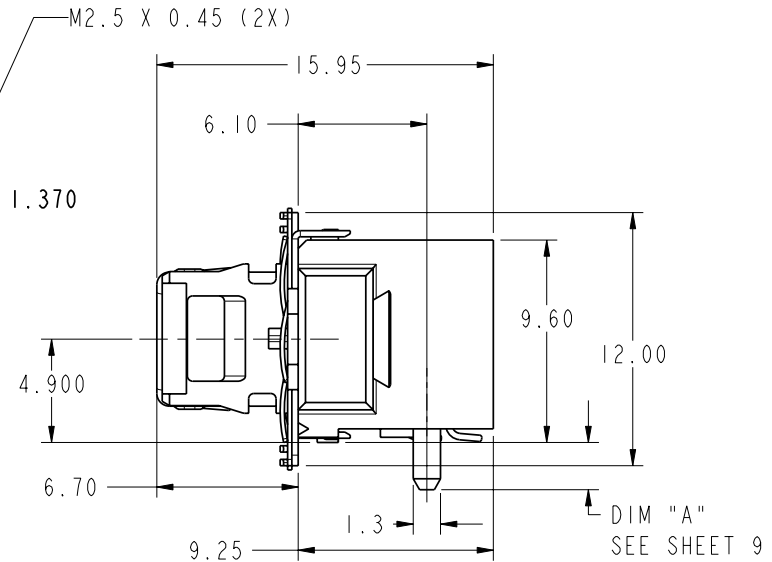
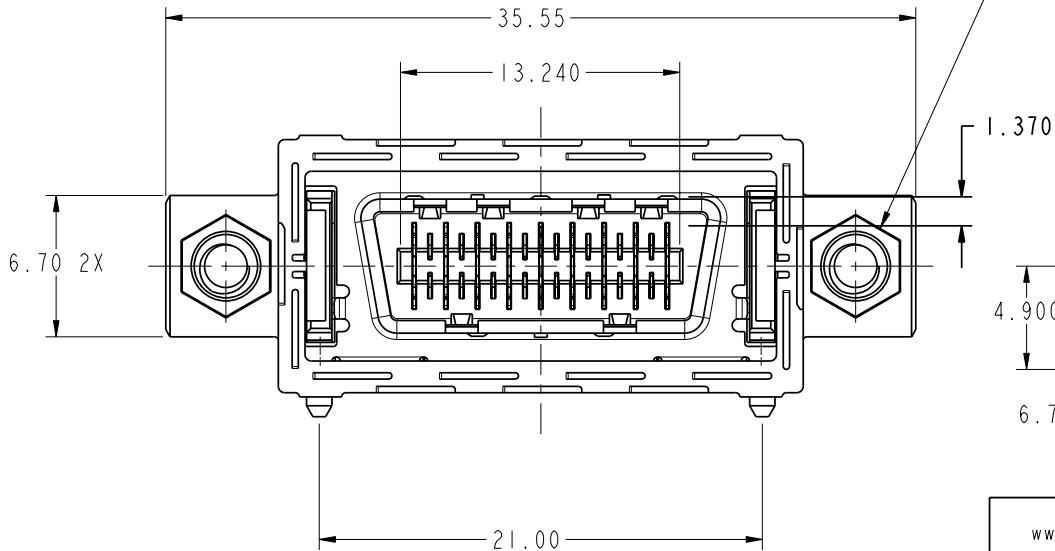
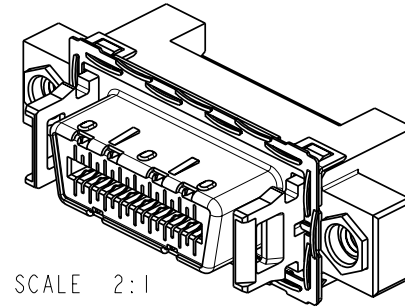
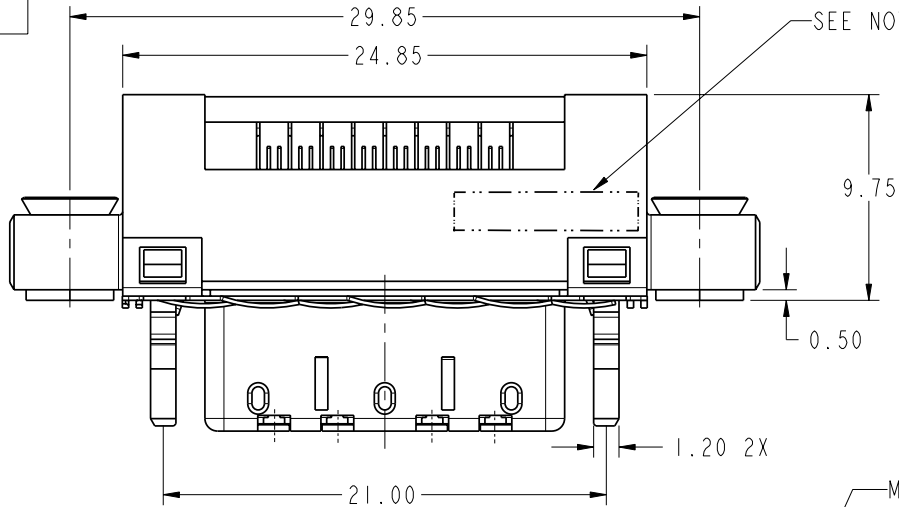


PRODUCT NUMBER
58369-11XXXX



Copyright FCI.

www.fciconnect.com			surface 3.2 ASME Y14.5	tolerance std ASME Y14.5	projection MM
			TOLERANCES UNLESS OTHERWISE SPECIFIED		
Dr	R. DRAGGOO	2002-01-07	ANGULAR	0.X ±.30	size A4
Eng	S. OLSON	2001-09-11	LINEAR	0.XX ±.10	Scale 3:1
Chr	HIRAN V N	2006-02-26	0° ±2°	0.XXX ±.050	ECN 107-0024
Appr	HIRAN V N	2006-02-26	Product family EyeMax (tm)		Spec ref -
			4X R/A RECPT. ASSEMBLY w/MOUNTING TABS		dwg no 58369 CUSTOMER
title catalog no			sheet 1 of 9		Rev. K

rev	ecn no	dr	date
D	V21720	GIP	2002-11-04
E	V21864	DF	2002-12-12
F	V03-0087	GIP	2003-03-14
G	V03-0430	DAI	2004-06-07
H	V05-0063	TAB	2005-02-14
J	106-0123	HVN	2006-07-26
K	107-0024	HVN	2006-02-26

REV F - 2006-04-17

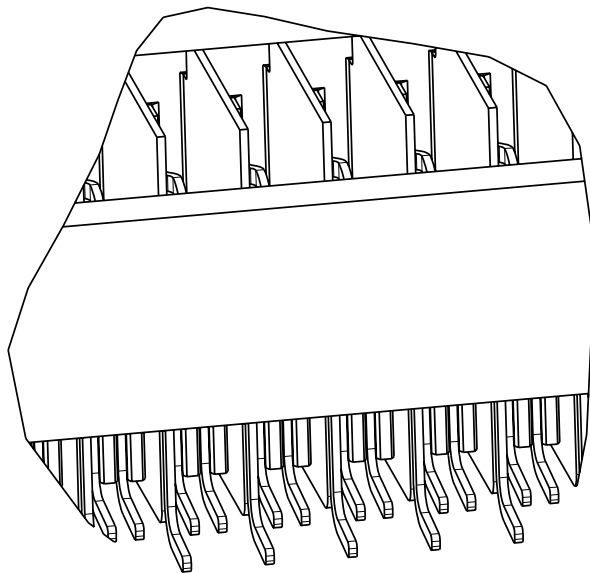
PDM: Rev:K

STATUS:Released

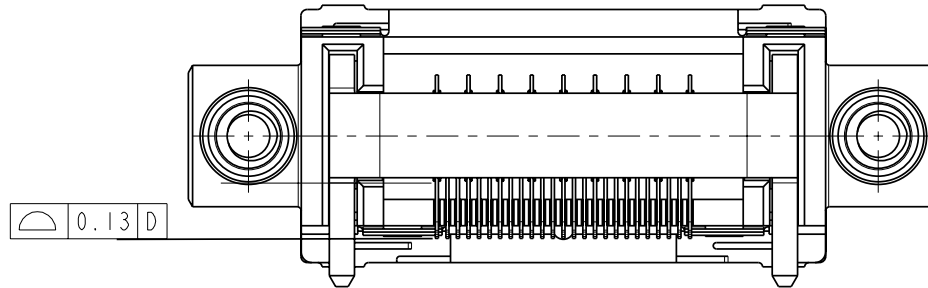
Printed: Jan 28, 2008



Copyright FCI.



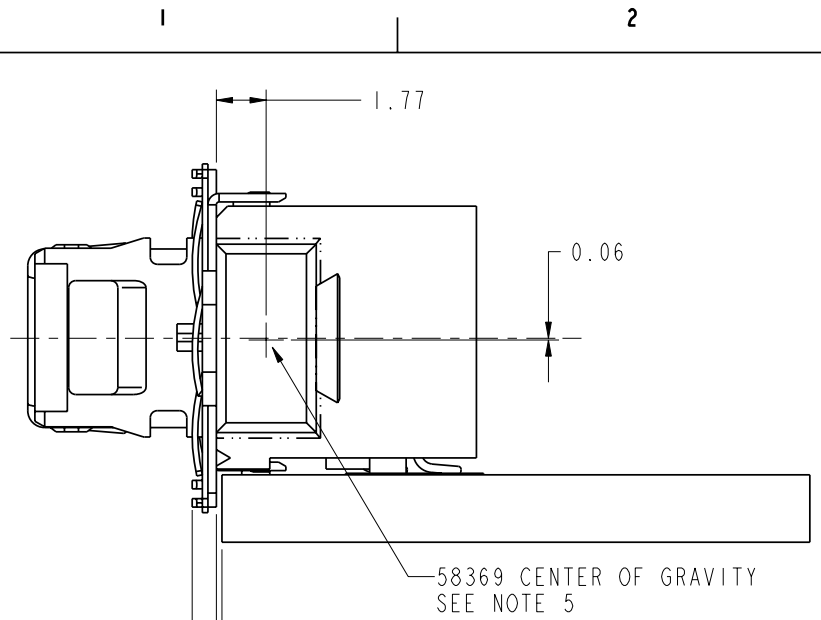
SCALE 8:1



COPLANARITY MEASUREMENT TO BE TAKEN AT BOTTOM MOST POINT OF CONTACT TAILS

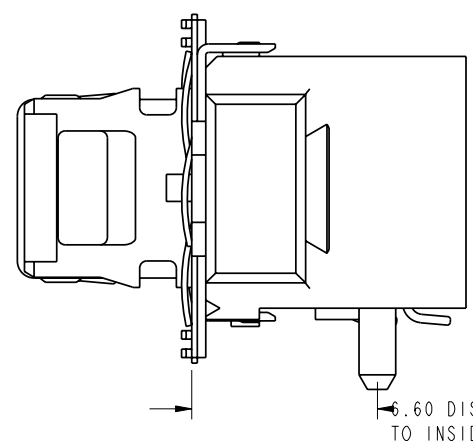
COPLANARITY ZONE IS BELOW DATUM D

www.fciconnect.com		surface 3.2 ASME Y14.5	tolerance std ASME Y14.5	projection 	MM
		TOLERANCES UNLESS OTHERWISE SPECIFIED			Scale 3:1
Dr	R. DRAGGOO	2002-01-07	ANGULAR	0.X ±.30	size A4
Eng	S. OLSON	2001-09-11	LINEAR	0.XX ±.10	ECN 107-0024
Chr	HIRAN V N	2006-02-26	0° ±2°	0.XXX ±.050	Spec ref -
Appr	HIRAN V N	2006-02-26	Product family EyeMax (tm)		
	title 4X R/A RECP. ASSEMBLY		dwg no 58369		Rev. K
	w/MOUNTING TABS		CUSTOMER		sheet 2 of 9
	catalog no -				



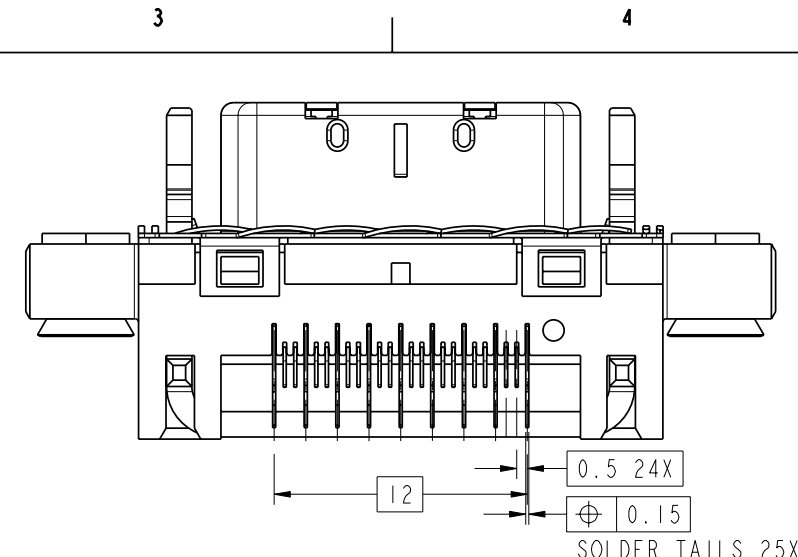
0.20 DISTANCE FROM PCB TO REAR OF "D" SHELL
 1.06 DISTANCE FROM PCB TO INSIDE OF BULKHEAD OR PCI BRACKET. (WITH GASKET IN COMPRESSED STATE)

SIDE VIEW OF CONNECTOR ON PCB

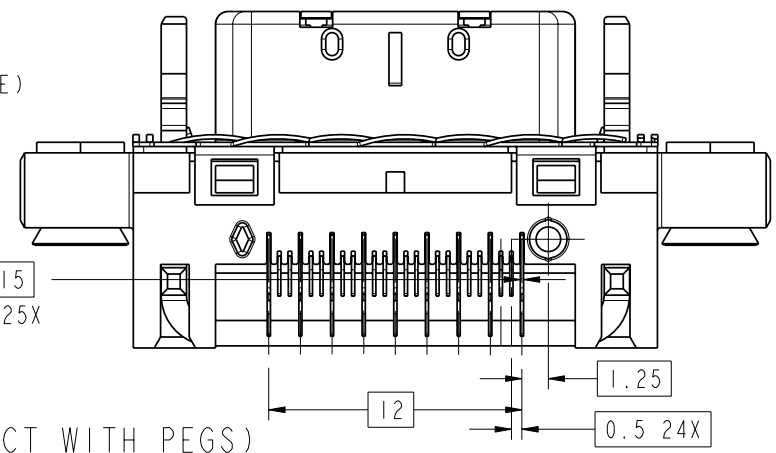


6.60 DISTANCE FROM CENTER OF GROUND PEG TO INSIDE SURFACE OF BULKHEAD OR PCI BRACKET

SIDE VIEW OF CONNECTOR w/o PCB



58369-11X0XX (PRODUCT WITHOUT PEGS)



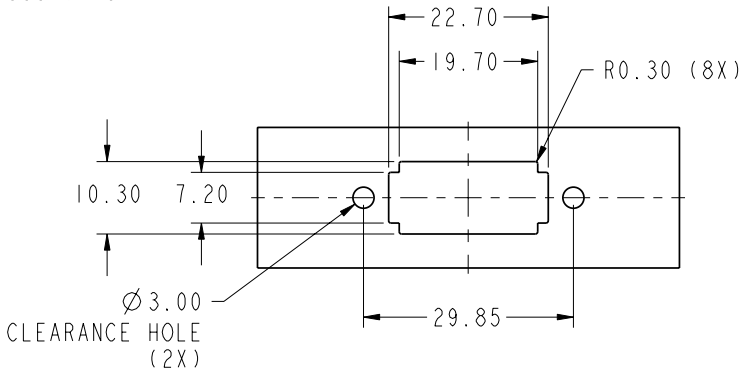
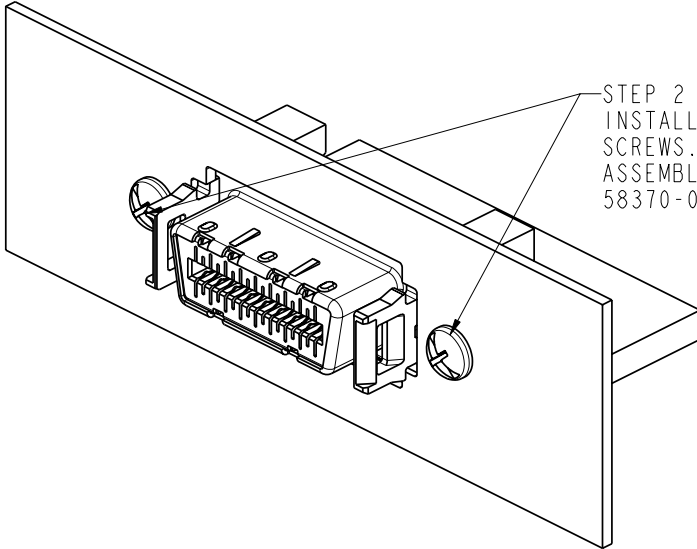
58369-11X1XX (PRODUCT WITH PEGS)



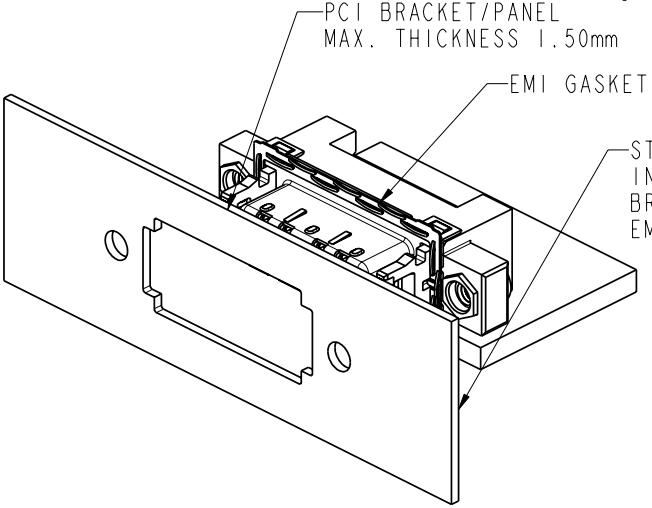
Copyright FCI.

www.fciconnect.com			surface 3.2/ ASME Y14.5	tolerance std ASME Y14.5	projection MM	TOLERANCES UNLESS OTHERWISE SPECIFIED	
Dr	R. DRAGGOO	2002-01-07	ANGULAR	0.X ±.30	size	A4	Scale 4:1
Eng	S. OLSON	2001-09-11	LINEAR	0.XX ±.10	ECN	107-0024	
Chr	HIRAN V N	2006-02-26	0° ±2°	0.XXX ±.050	Spec ref	-	
Appr	HIRAN V N	2006-02-26	Product family EyeMax (tm)			-	
			4X R/A RECPT. ASSEMBLY w/MOUNTING TABS			title 58369	Rev. K
catalog no			-			dwg no CUSTOMER	sheet 3 of 9

REV F - 2006-04-17



SCALE 1:1
PANEL CUTOUT



STEP 1
INSERT CONNECTOR INTO PCI
BRACKET/PANEL COMpressing
EMI GASKET

CONNECTOR APPLICATION TO PCI BRACKET/PANEL



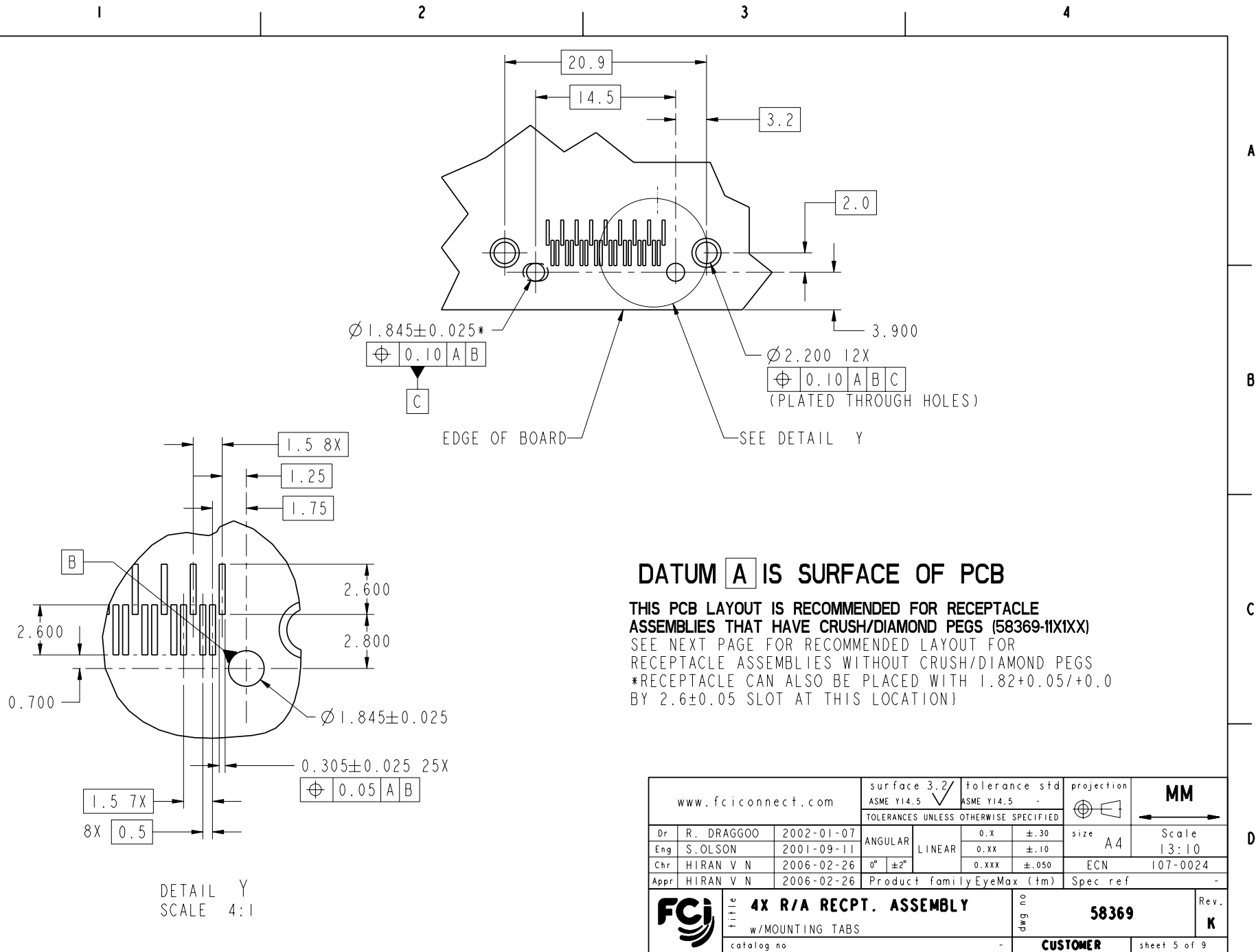
Copyright FCI.

www.fciconnect.com			surface 3.2/ ASME Y14.5	tolerance std ASME Y14.5	projection ASME Y14.5	MM	
			TOLERANCES UNLESS OTHERWISE SPECIFIED			Scale 3:2	
Dr	R. DRAGGOO	2002-01-07	ANGULAR	LINEAR	0.x ±.30	size	A4
Eng	S. OLSON	2001-09-11			0.xx ±.10	ECN	107-0024
Chr	HIRAN V N	2006-02-26	0° ±2°		0.xxx ±.050	Spec ref	-
Appr	HIRAN V N	2006-02-26	Product family EyeMax (tm)				
			4X R/A RECPT. ASSEMBLY w/MOUNTING TABS			dwg no 58369	Rev. K
catalog no			-			CUSTOMER	sheet 4 of 9

REV F - 2006-04-17



Copyright FCI.



DATUM A IS SURFACE OF PCB

THIS PCB LAYOUT IS RECOMMENDED FOR RECEPTACLE ASSEMBLIES THAT HAVE CRUSH/DIAMOND PEGS (58369-11X1XX)
 SEE NEXT PAGE FOR RECOMMENDED LAYOUT FOR RECEPTACLE ASSEMBLIES WITHOUT CRUSH/DIAMOND PEGS
 *RECEPTACLE CAN ALSO BE PLACED WITH 1.82±0.05/+0.0 BY 2.6±0.05 SLOT AT THIS LOCATION}

www.fciconnect.com		surface 3.2/ ASME Y14.5 ✓	tolerance std ASME Y14.5 -	projection 	MM
		TOLERANCES UNLESS OTHERWISE SPECIFIED		↔	
Dr	R. DRAGGOO	2002-01-07	ANGULAR	0.x ±.30	size A4
Eng	S. OLSON	2001-09-11	LINEAR	0.xx ±.10	Scale 13:10
Chr	HIRAN V N	2006-02-26	0° ±2°	0.xxx ±.050	ECN 107-0024
Appr	HIRAN V N	2006-02-26	Product family EyeMax (tm)		Spec ref -
		4X R/A RECPT. ASSEMBLY		dwg no	58369
		w/MOUNTING TABS			Rev. K
catalog no		-		CUSTOMER	sheet 5 of 9

DETAIL Y
SCALE 4:1

REV F - 2006-04-17

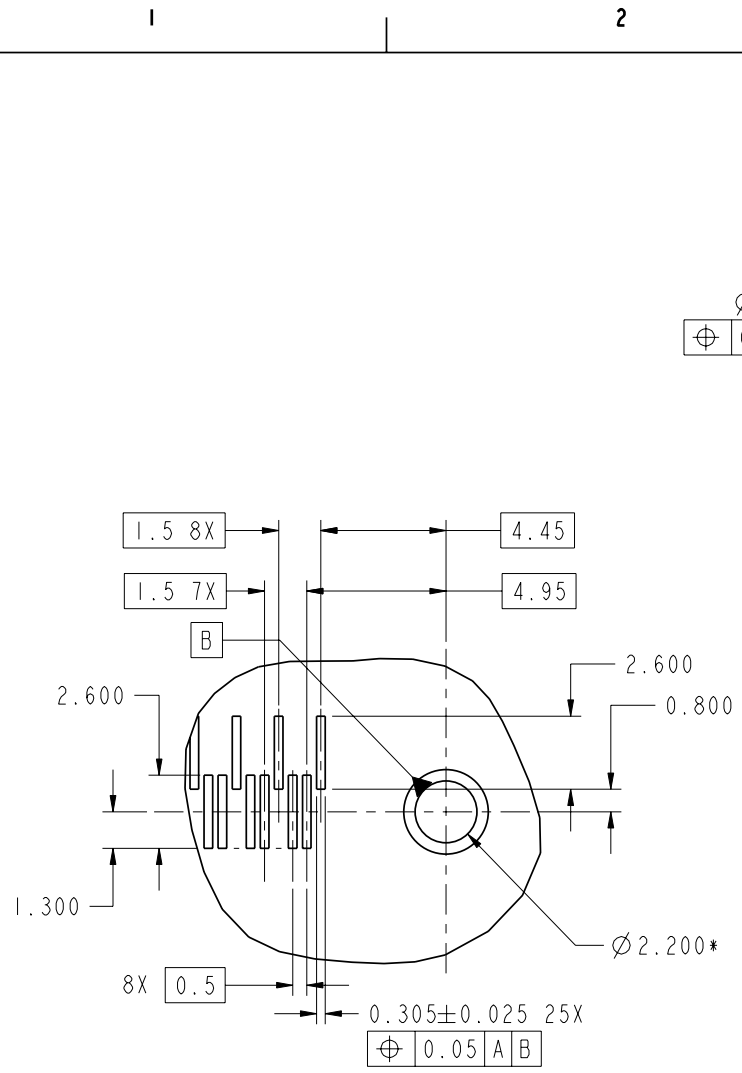
PDM: Rev:K

STATUS:Released

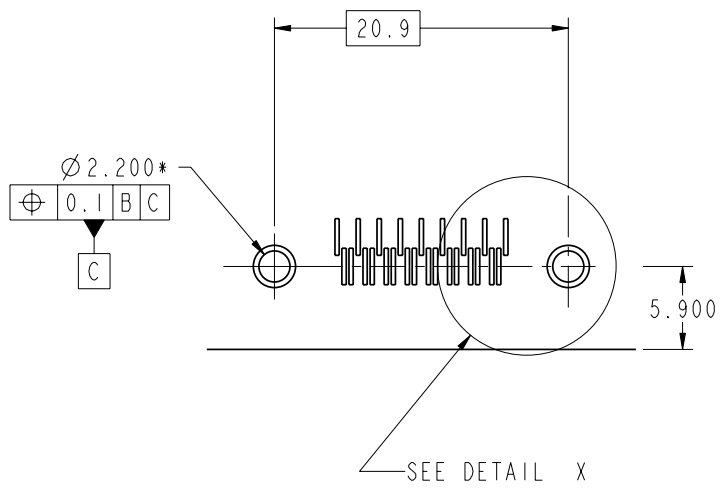
Printed: Jan 28, 2008



Copyright FCI.



DETAIL X
SCALE 4:1

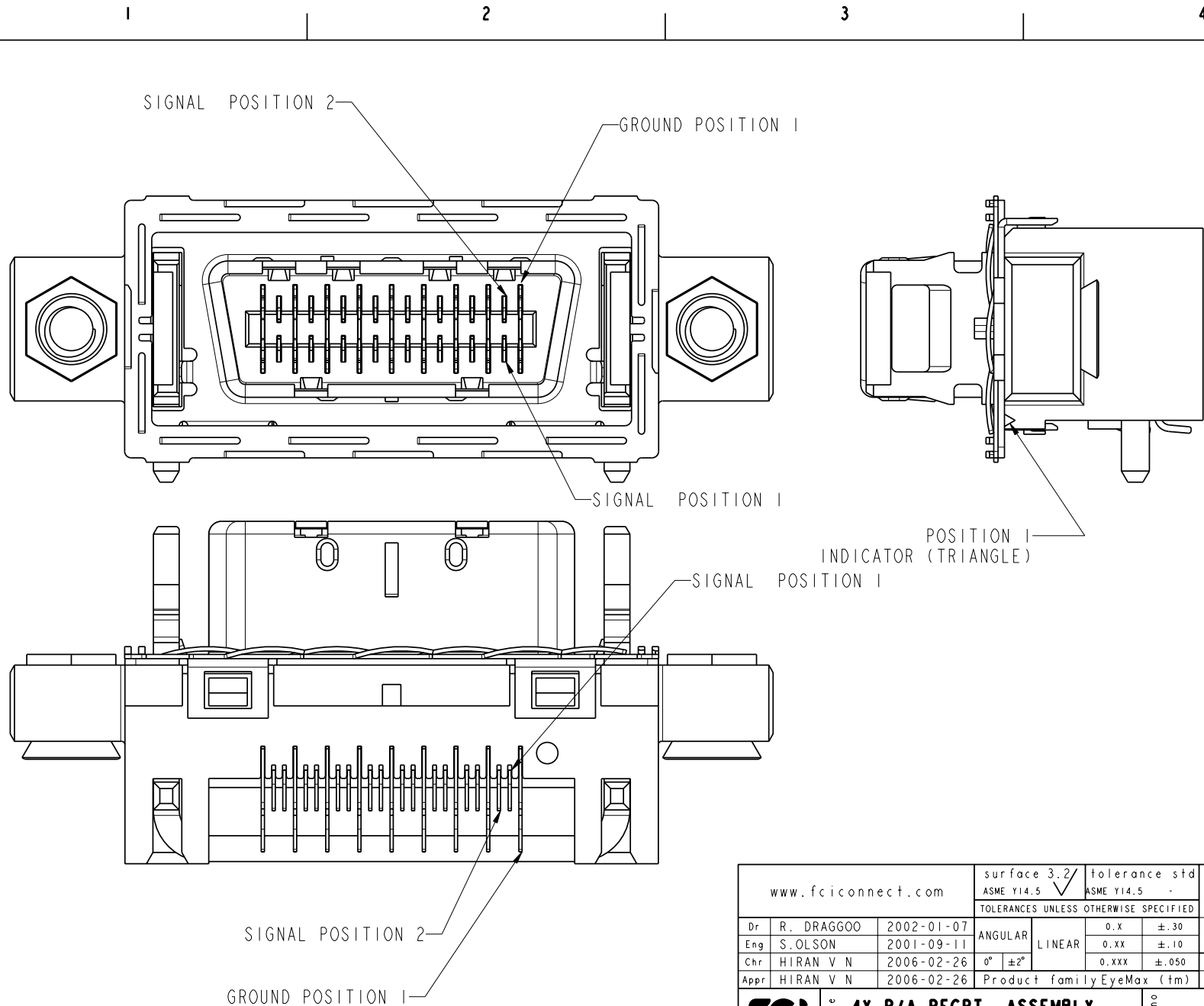


DATUM A IS SURFACE OF PCB

THIS PCB LAYOUT IS RECOMMENDED FOR RECEPTACLE ASSEMBLIES THAT DO NOT HAVE CRUSH/DIAMOND PEGS (58369-11X0XX)
 SEE PREVIOUS PAGE FOR RECOMMENDED LAYOUT FOR RECEPTACLE ASSEMBLIES WITH CRUSH/DIAMOND PEGS
 *PLATED THROUGH HOLES

www.fciconnect.com			surface 3.2/ ASME Y14.5 ✓	tolerance std ASME Y14.5 -	projection [Symbol]	MM	
			TOLERANCES UNLESS OTHERWISE SPECIFIED		Scale 13:10		
Dr	R. DRAGGOO	2002-01-07	ANGULAR	LINEAR	0.X ±.30	size A4	ECN 107-0024
Eng	S. OLSON	2001-09-11			0.XX ±.10		
Chr	HIRAN V N	2006-02-26	0° ±2°		0.XXX ±.050		
Appr	HIRAN V N	2006-02-26	Product family EyeMax (tm)		Spec ref -		
FCI			title 4X R/A RECPT. ASSEMBLY		dwg no 58369		Rev. K
			w/MOUNTING TABS		CUSTOMER		sheet 6 of 9
			catalog no -				

REV F - 2006-04-17



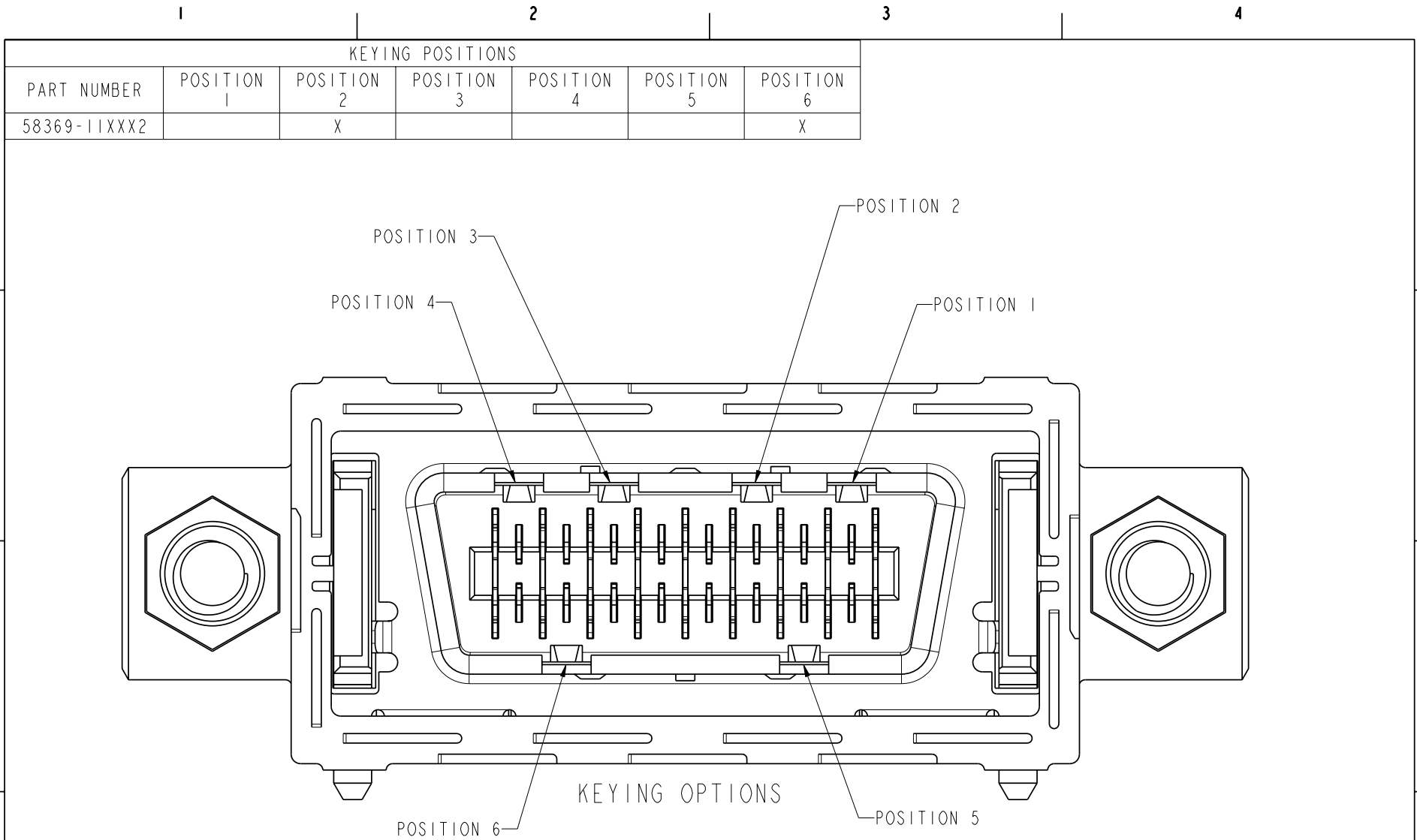
Copyright FCI.

REV F - 2006-04-17

www.fciconnect.com		surface 3.2 / ASME Y14.5	tolerance std ASME Y14.5	projection	MM
		TOLERANCES UNLESS OTHERWISE SPECIFIED			
Dr	R. DRAGGOO	2002-01-07	ANGULAR	0.X ±.30	size A4
Eng	S. OLSON	2001-09-11	LINEAR	0.XX ±.10	Scale 4:1
Chr	HIRAN V N	2006-02-26	0° ±2°	0.XXX ±.050	ECN 107-0024
Appr	HIRAN V N	2006-02-26	Product family EyeMax (tm)		Spec ref -
	title 4X R/A RECP. ASSEMBLY		dwg no 58369		Rev. K
	w/MOUNTING TABS		CUSTOMER		sheet 7 of 9
	catalog no -				



Copyright FCI.



KEYING POSITIONS						
PART NUMBER	POSITION 1	POSITION 2	POSITION 3	POSITION 4	POSITION 5	POSITION 6
58369-11XXX2		X				X

www.fciconnect.com			surface 3.2 ASME Y14.5	tolerance std ASME Y14.5	projection MM	TOLERANCES UNLESS OTHERWISE SPECIFIED	
Dr	R. DRAGGOO	2002-01-07	ANGULAR	LINEAR	0.X ±.30	size	A4
Eng	S. OLSON	2001-09-11			0.XX ±.10	Scale	6:1
Chr	HIRAN V N	2006-02-26	0° ±2°		0.XXX ±.050	ECN	107-0024
Appr	HIRAN V N	2006-02-26	Product family EyeMax (tm)		Spec ref -		
		title 4X R/A RECP. ASSEMBLY w/MOUNTING TABS			dwg no 58369		Rev. K
catalog no		-			CUSTOMER		sheet 8 of 9

REV F - 2006-04-17

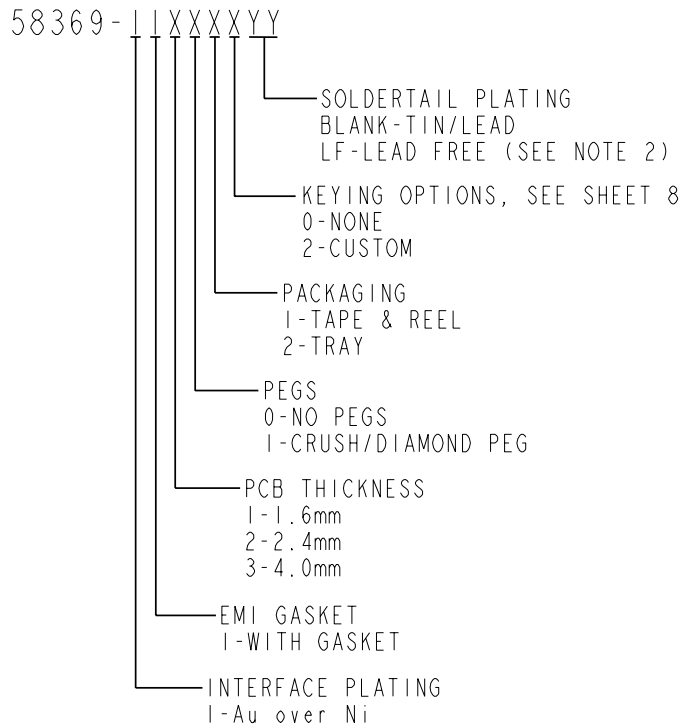
PDM: Rev:K

STATUS:Released

Printed: Jan 28, 2008



Copyright FCI.



PRODUCT NUMBER	BOARD THICKNESS	DIM A
58369-111XXX	1.6mm	2.3
58369-112XXX	2.4mm	3.1
58369-113XXX	4.0mm	4.7

NOTES:)

- ① HOUSING MATERIAL: UL94 V-0 LCP RESIN.
SIGNAL PIN MATERIAL: COPPER ALLOY.
GROUND CONTACT MATERIAL: COPPER ALLOY.
- ② PLATING: LEAD FREE SOLDER TAILS 2 μ m (80 μ in) MIN MATTE TIN
OVER 1.27 μ m (50 μ in) MIN NICKEL UNDERPLATE.
- ③ P/N AND DATE CODE TO APPEAR ON THIS SURFACE.
4. PRODUCT SPECIFICATION GS-12-209.
5. CONNECTOR WEIGHT= 7.06 grams
6. APPLICATION SPECIFICATION: GS-20-025
7. PACKAGING SPECIFICATION GS-14-794. PACKAGING OF LEAD FREE PRODUCTS MEETS LABELING AND PACKAGING SPECIFICATION GS-14-920.
8. ALL DIMENSIONS ON PCB'S ARE BASIC UNLESS OTHERWISE SPECIFIED
9. ALL HOLE DIAMETERS ON PCB'S ARE FINISHED HOLE SIZE
- ⑩ AREA ON TOP OF CONNECTOR IS FLAT & SMOOTH AND CAN BE USED FOR VACUUM PICK & PLACE.
11. MATES WITH EYEMAX[®] PLUG 58443 (WITHOUT PCB), 58638 (WITH UNEQUALIZED PCB) OR 10026692 (WITH EQUALIZED PCB).
12. RECOMMENDED SCREW TORQUE IS 0.15Nm(1.33 in-lbs).
MAX TORQUE -0.20Nm(1.77 in-lbs)
13. LEAD FREE PRODUCTS MEET EUROPEAN UNION DIRECTIVES AND OTHER COUNTRY REGULATIONS AS DESCRIBED IN GS-22-008.
14. THE HOUSING WILL WITHSTAND EXPOSURE TO 260°C PEAK TEMPERATURE FOR 15 SECONDS IN A CONVECTION, INFRARED OR VAPOR PHASE REFLOW OVEN.

www.fciconnect.com		surface 3.2/ ASME Y14.5 <input checked="" type="checkbox"/>	tolerance std ASME Y14.5 -	projection 	MM
		TOLERANCES UNLESS OTHERWISE SPECIFIED			
Dr	R. DRAGGOO	2002-01-07	ANGULAR	0.X ±.30	size A4
Eng	S. OLSON	2001-09-11	LINEAR	0.XX ±.10	Scale 13:10
Chr	HIRAN V N	2006-02-26	0° ±2°	0.XXX ±.050	ECN 107-0024
Appr	HIRAN V N	2006-02-26	Product family EyeMax (tm)		Spec ref -
		4X R/A RECPT. ASSEMBLY			Rev. K
		w/MOUNTING TABS			sheet 9 of 9
catalog no		-		CUSTOMER	